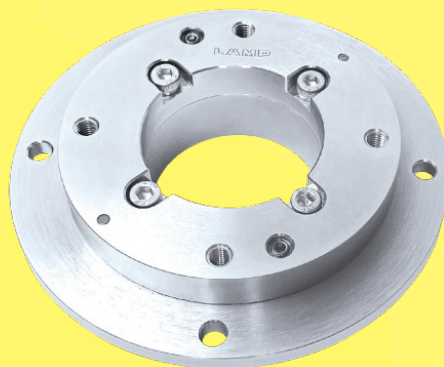


Giro de hasta 360°

Gran variedad



Explore nuestra amplia gama de

Bisagras Giratorias

HIGH-RIGIDITY SWIVEL TORQUE HINGE HG-S50-HR50 Unbalanced Load Type



Free stop
Passed 30,000 open/close private cycle test

- Has high rigidity and can handle unbalanced load.
- Can rotate 360° and hold at any angle.
- Centre hole for cable management.
- Rotation angle can be controlled with the supplied angle control bolt.

[Applications]

- Operation panel of machine tools and LCD, etc.

[Others]

- Usage conditions for vertical mounting is under verification.

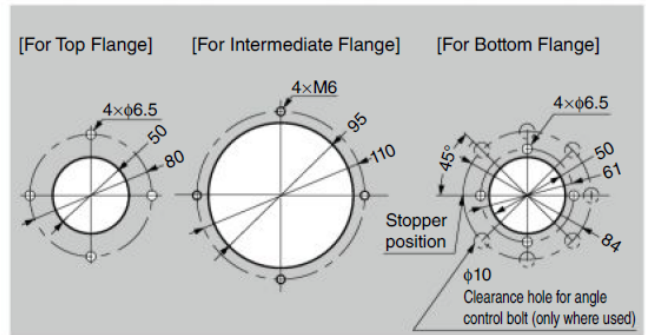
[Remarks]

- Be sure to read the "Cautions" 1.
- Never turn top flange screws (6 pcs), at risk of malfunction.

[Parts Included]

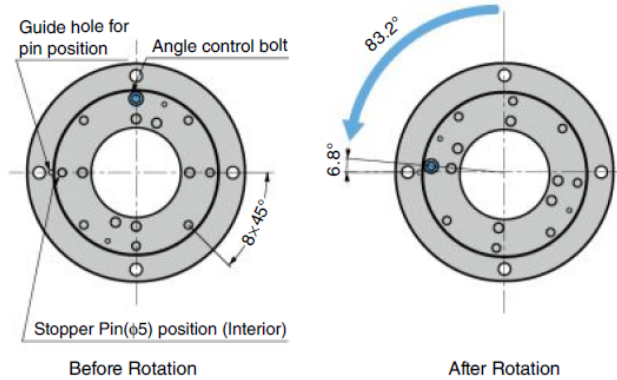
- Hexagon Socket Head Cap Screw M5x14 (2 pcs) for angle control
- Spring washer 5 (2 pcs)

[Cut Out Dimensions]



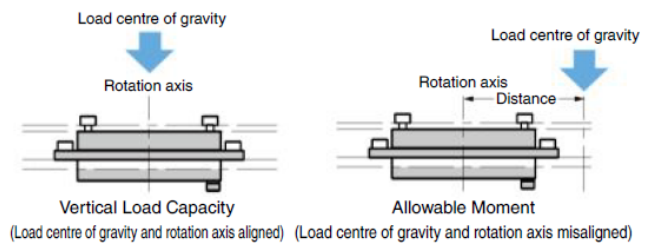
[Rotation Angle Control Function]

Rotation angle can be controlled by mounting the supplied angle control bolt.



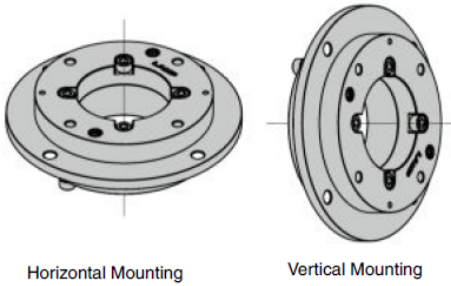
There are 8 angle control screw holes at 45° intervals; the actual rotation angles are 6.8° narrower because the stopper pins are blocked by bolts.

[Vertical Load Capacity & Allowable Moment]

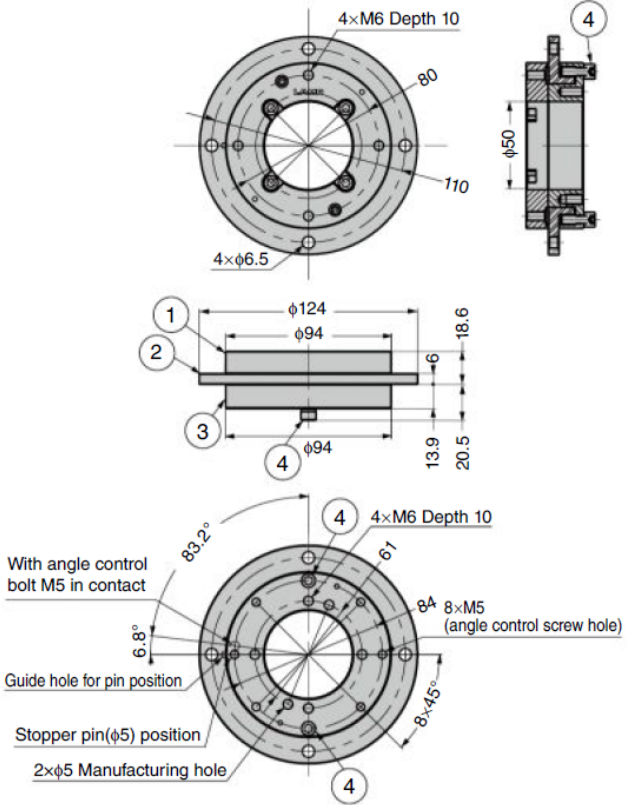
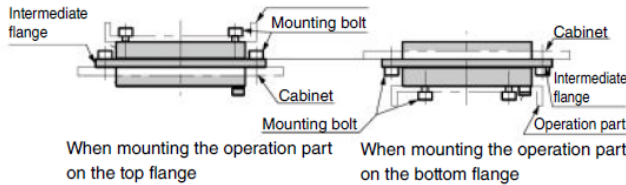


No.	Part Name	Material	Finish / Colour
①	Top Flange	Steel	Clear Zinc Chromate
②	Intermediate Flange		
③	Bottom Flange		
④	Spring Washer Embedded Hexagon Socket Head Cap Screw M5x14	-	

[Mounting Direction]



[Horizontal Installation Example]



RoHS	CAD	Item Code	Item Name	Size	Hole Diameter	Torque		Vertical Load Capacity		Allowable Moment		Weight (g)
						N·m	kgf·cm	N	kgf	N·m	kgf·cm	
		170-051-124	HG-S50-HR50	124	50	5.0±20%	51.0±20%	600	61.2	80	816	1330

Refer to 1: P.43

SWIVEL TORQUE HINGE HG-S



- HG-S-MN, HG-S-21 and HG-S-75 are newly launched.
- Rotation angle: 360°
- Centre hole for easy cable management (except for HG-S-MN). Five types of hole diameters ($\phi 12$, $\phi 21.5$, $\phi 34$, $\phi 50$, and $\phi 75$) are available.

[Applications]

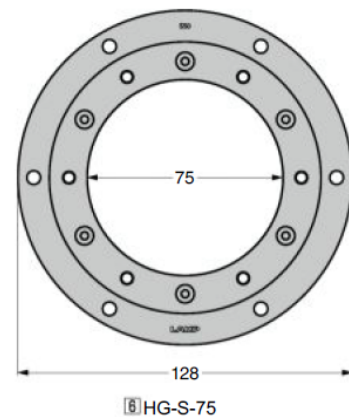
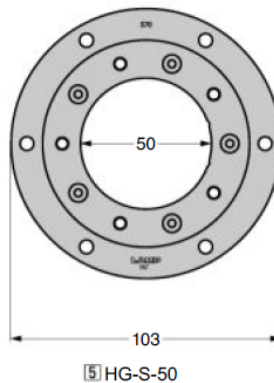
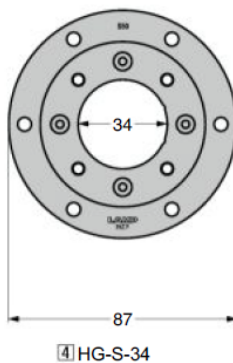
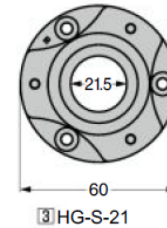
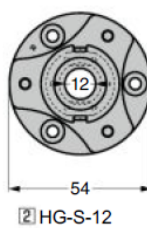
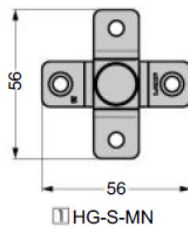
- Operation panel of machine tools and LCD, etc.

[Remarks]

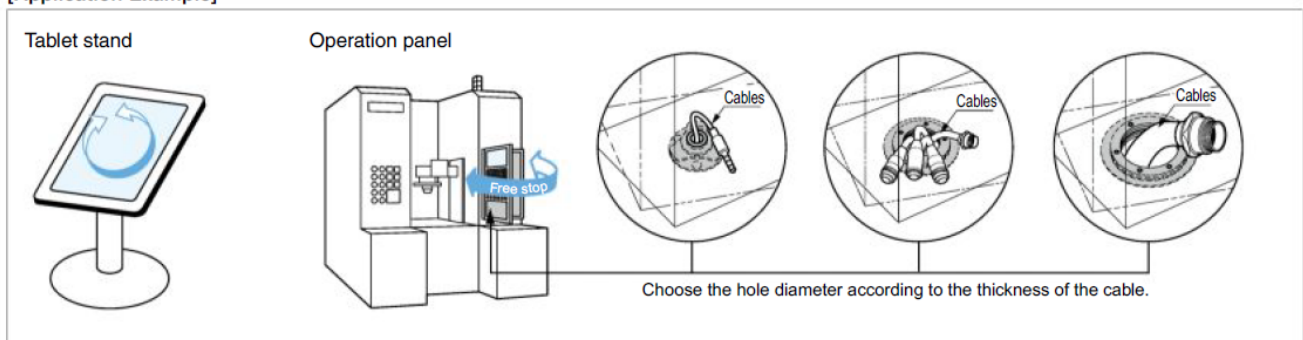
- Be sure to read the "Cautions" **1**.
- Hinges can be used upside down. However, fix the screws from the mounting surface (refer to the "Installation" in relevant pages). Otherwise, the products will not function.
- * is horizontal use only.

[Selection Guide]

RoHS	CAD	Item Code	Item Name	No.	Size	Hole Diameter	Torque N·m/pc	Torque kgf·cm/pc	Page
		170-029-726	HG-S7-MN	1	56	-	0.7 $\pm 20\%$	7.1 $\pm 20\%$	2
		170-029-727	HG-S20-MN				2.0 $\pm 20\%$	20.4 $\pm 20\%$	
		170-021-976	HG-S30-12	2	$\phi 54$	12	3.0 $\pm 20\%$	30.6 $\pm 20\%$	3
		170-021-975	HG-S50-12				5.0 $\pm 20\%$	51.0 $\pm 20\%$	
		170-029-728	HG-S30-21	3	$\phi 60$	21.5	3.0 $\pm 20\%$	30.6 $\pm 20\%$	3
		170-029-729	HG-S50-21				5.0 $\pm 20\%$	51.0 $\pm 20\%$	
		170-023-959	HG-S50-34	4 *	$\phi 87$	34	5.0 $\pm 20\%$	51.0 $\pm 20\%$	4
		170-023-960	HG-S70-34				7.0 $\pm 20\%$	71.4 $\pm 20\%$	
		170-023-961	HG-S70-50	5 *	$\phi 103$	50	7.0 $\pm 20\%$	71.4 $\pm 20\%$	4
		170-023-962	HG-S100-50				10.0 $\pm 20\%$	102.0 $\pm 20\%$	
		170-029-730	HG-S50-75	6 *	$\phi 128$	75	5.0 $\pm 20\%$	51.0 $\pm 20\%$	4
		170-029-731	HG-S70-75				7.0 $\pm 20\%$	71.4 $\pm 20\%$	

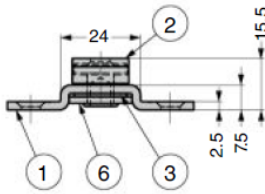
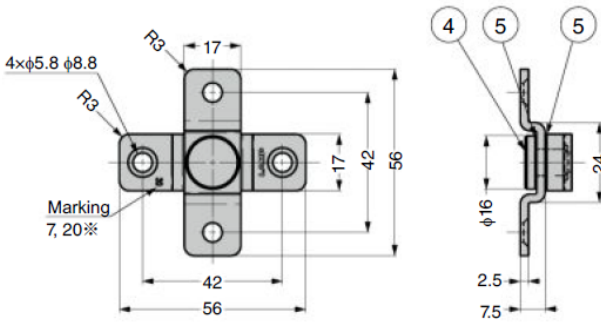


[Application Example]



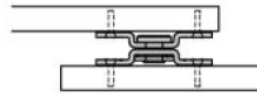
Refer to **1** : P.43, **2** : P.60, **3** : P.61, **4** : P.62

SWIVEL TORQUE HINGE HG-S-MN Small Type



※7: HG-S7-MN, 20: HG-S20-MN.

[Installation]



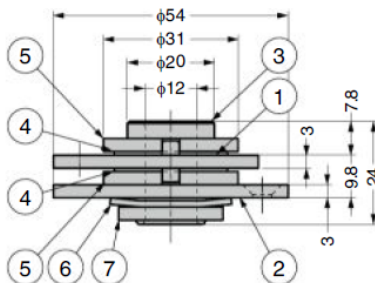
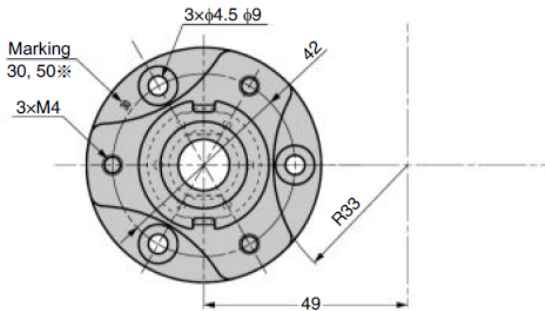
Video Link



No.	Part Name	Material	Finish
①	Bracket B	Stainless Steel (SUS430)	Barrel Polished
②	Bracket A		
③	F Plate	Bronze	-
④	Shaft	Stainless Steel (SUS303)	
⑤	Spring Washer	Stainless Steel	
⑥	Washer	Stainless Steel (SUS430)	Barrel Polished

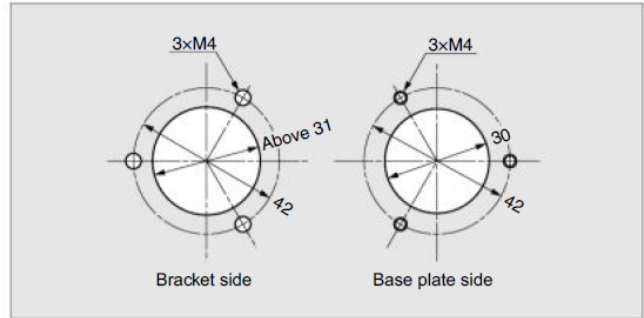
RoHS	CAD	Item Code	Item Name	Size	Torque N·m/pc	Torque kgf·cm/pc	Weight (g)	Box (pcs)	Carton (pcs)
		170-029-726	HG-S7-MN	56	0.7±20%	7.1±20%	48	25	200
		170-029-727	HG-S20-MN		2.0±20%	20.4±20%	49	25	200

SWIVEL TORQUE HINGE HG-S-12 Hole Dia. φ 12

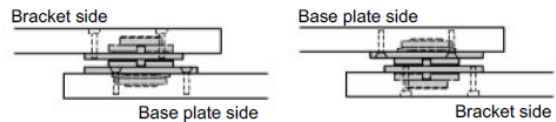


※30: HG-S30-12, 50: HG-S50-12.

[Cut Out Dimensions]



[Installation]



No.	Part Name	Material	Finish
①	Bracket	Stainless Steel (SUS430)	Barrel Polished
②	Base plate		
③	Sleeve	Stainless Steel (SUS303)	-
④	F Plate	Bronze	
⑤	Washer	Stainless Steel (SUS430)	
⑥	Spring Washer	Steel	-
⑦	Washer	Stainless Steel (SUS430)	

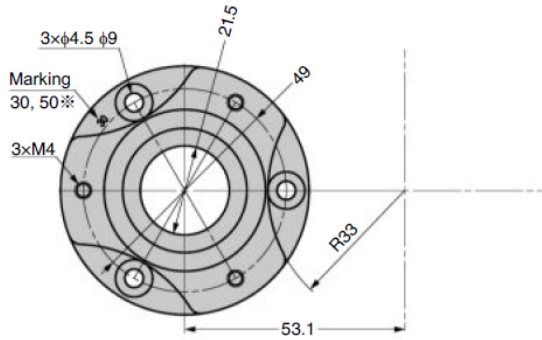
Max. load capacity : 200N (20.4kgf)/pc

RoHS	CAD	Item Code	Item Name	Size	Hole Diameter	Torque N·m/pc	Torque kgf·cm/pc	Weight (g)	Box (pcs)	Carton (pcs)
		170-021-976	HG-S30-12	54	12	3.0±20%	30.6±20%	129	100	10
		170-021-975	HG-S50-12			5.0±20%	51.0±20%	132	100	10

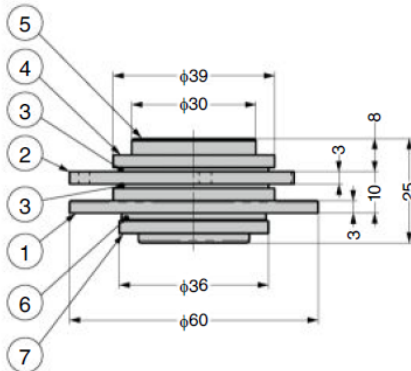
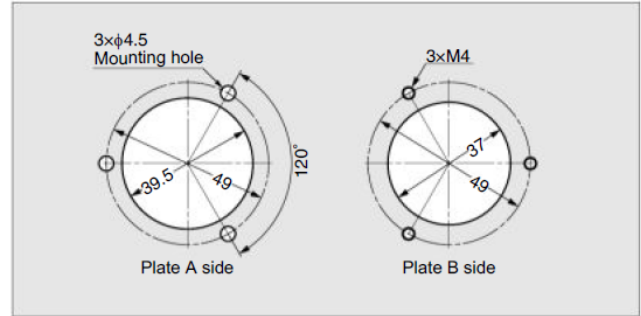
Video Link



SWIVEL TORQUE HINGE HG-S-21 Hole Dia. ϕ 21.5



[Cut Out Dimensions]



Video Link

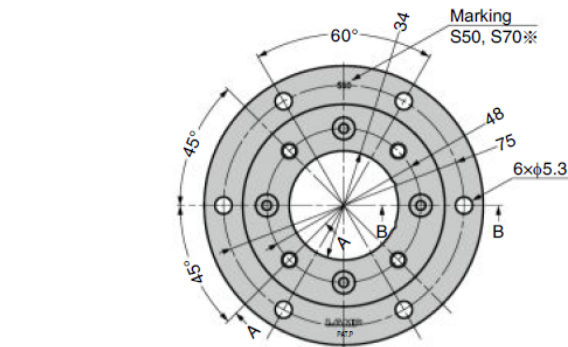


※30: HG-S30-21, 50: HG-S50-21.

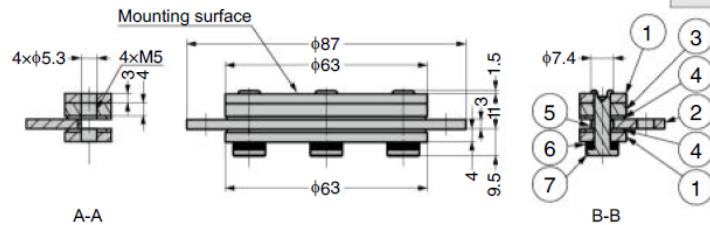
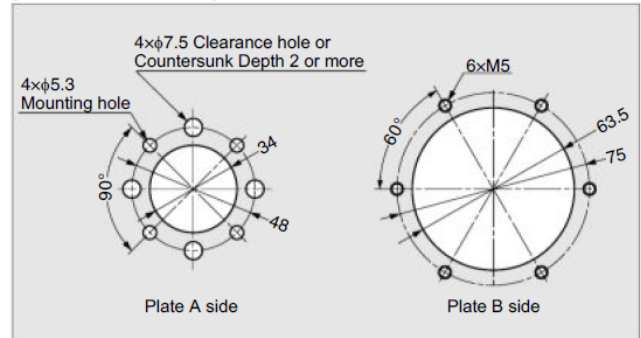
Max. load capacity : 200N (20.4kgf)/pc

RoHS	CAD	Item Code	Item Name	Size	Hole Diameter	Torque N·m/pc	Torque kgf·cm/pc	Weight (g)	Box (pcs)	Carton (pcs)
		170-029-728	HG-S30-21	60	21.5	3.0 \pm 20%	30.6 \pm 20%	175	10	80
		170-029-729	HG-S50-21			5.0 \pm 20%	51.0 \pm 20%	174	10	80

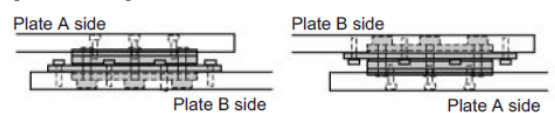
SWIVEL TORQUE HINGE HG-S-34 Hole Dia. ϕ 34



[Cut Out Dimensions]



[Installation]



※S50: HG-S50-34, S70: HG-S70-34.

Video Link

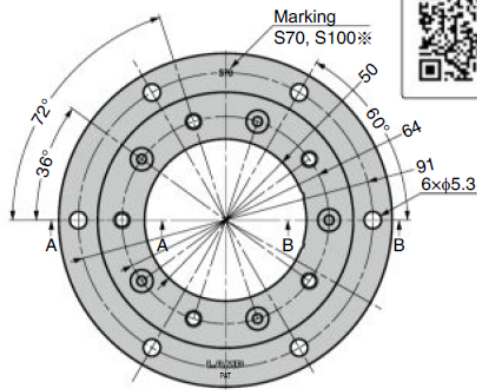


Max. load capacity : 400N (40.8kgf)/pc

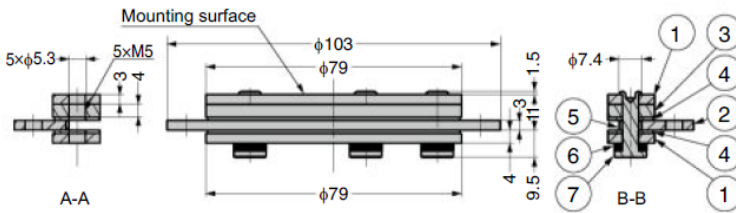
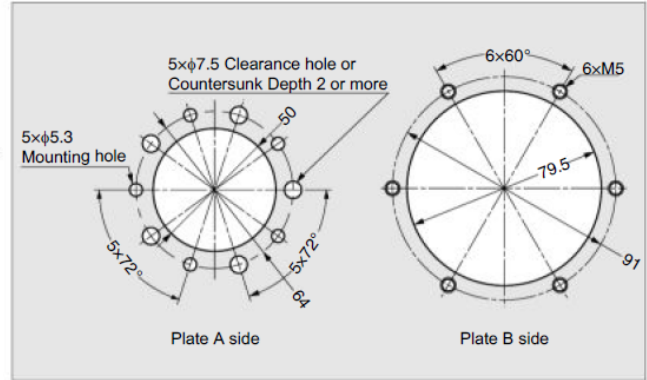
RoHS	CAD	Item Code	Item Name	Size	Hole Diameter	Torque N·m/pc	Torque kgf·cm/pc	Weight (g)	Box (pcs)	Carton (pcs)
		170-023-959	HG-S50-34	87	34	5.0 \pm 20%	51.0 \pm 20%	280	5	40
		170-023-960	HG-S70-34			7.0 \pm 20%	71.4 \pm 20%	282	5	40

SWIVEL TORQUE HINGE HG-S-50 Hole Dia. ϕ 50

Video Link

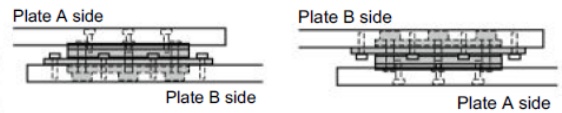


[Cut Out Dimensions]



※ S70: HG-S70-50, S100: HG-S100-50.

[Installation]



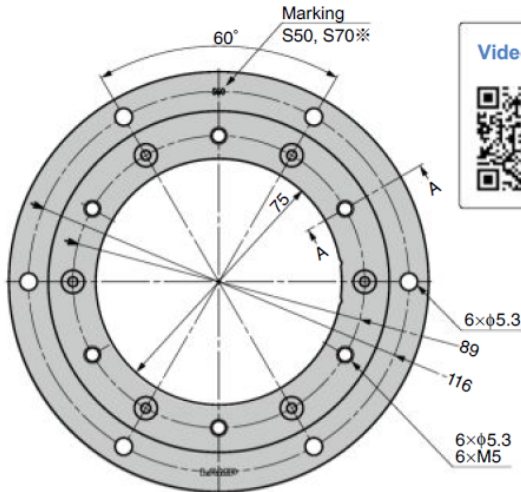
No.	Part Name	Material	Finish
①	Plate A	Stainless Steel (SUS430)	Barrel Polished
②	Plate B		
③	Plate C		
④	F Plate	Bronze	
⑤	Bush	Stainless Steel (SUS303)	
⑥	Spring Washer	Stainless Steel	
⑦	Shaft	Stainless Steel (SUS303)	

Max. load capacity : 400N (40.8kgf)/pc

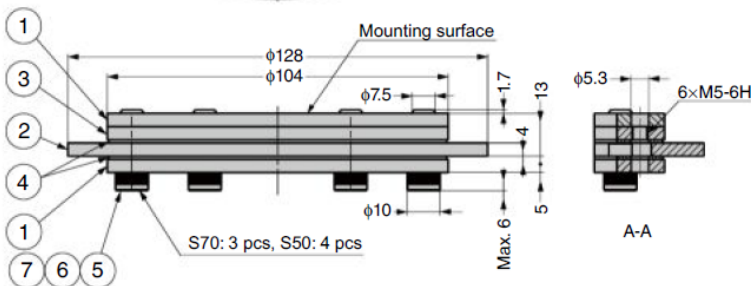
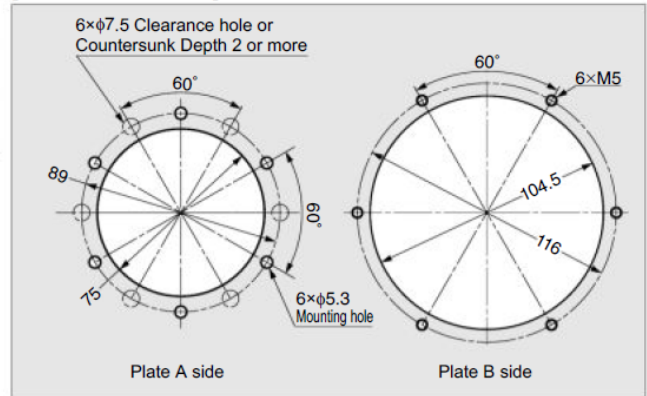
RoHS	CAD	Item Code	Item Name	Size	Hole Diameter	Torque N·m/pc	Torque kgf·cm/pc	Weight (g)	Box (pcs)	Carton (pcs)
		170-023-961	HG-S70-50	103	50	7.0 \pm 20%	71.4 \pm 20%	365	5	40
		170-023-962	HG-S100-50			10.0 \pm 20%	102.0 \pm 20%	371	5	40

SWIVEL TORQUE HINGE HG-S-75 Hole Dia. ϕ 75

Video Link

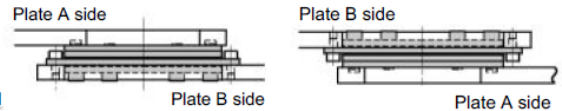


[Cut Out Dimensions]



※ S50: HG-S50-75, S70: HG-S70-75.

[Installation]



No.	Part Name	Material	Finish
①	Plate A	Stainless Steel (SUS430)	Barrel Polished
②	Plate B		
③	Plate C		
④	F Plate	Bronze	
⑤	Bush	POM	
⑥	Spring Washer	Stainless Steel	
⑦	Shaft	Stainless Steel (SUS303)	

RoHS	CAD	Item Code	Item Name	Size	Hole Diameter	Torque N·m/pc	Torque kgf·cm/pc	Weight (g)	Box (pcs)	Carton (pcs)
		170-029-730	HG-S50-75	128	75	5.0 \pm 20%	51.0 \pm 20%	545	5	40
		170-029-731	HG-S70-75			7.0 \pm 20%	71.4 \pm 20%	575	5	40

ANGLE LIMITER PLATE FOR SWIVEL TORQUE HINGE HG-S-ARP

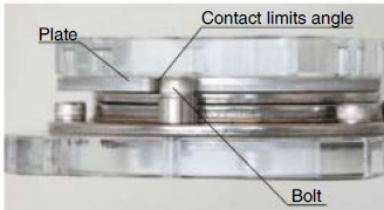


HG-S-34-ARP

HG-S-50-ARP

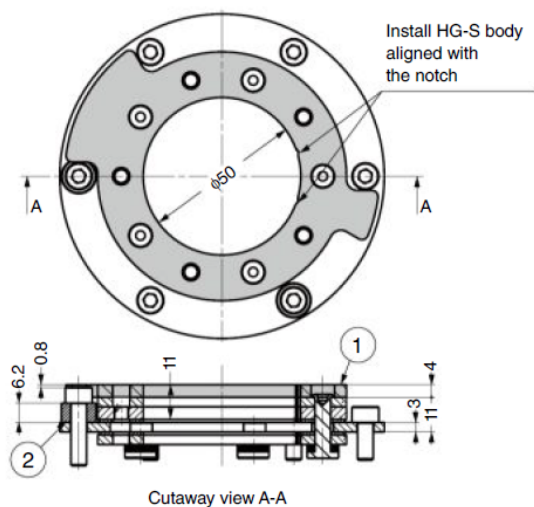
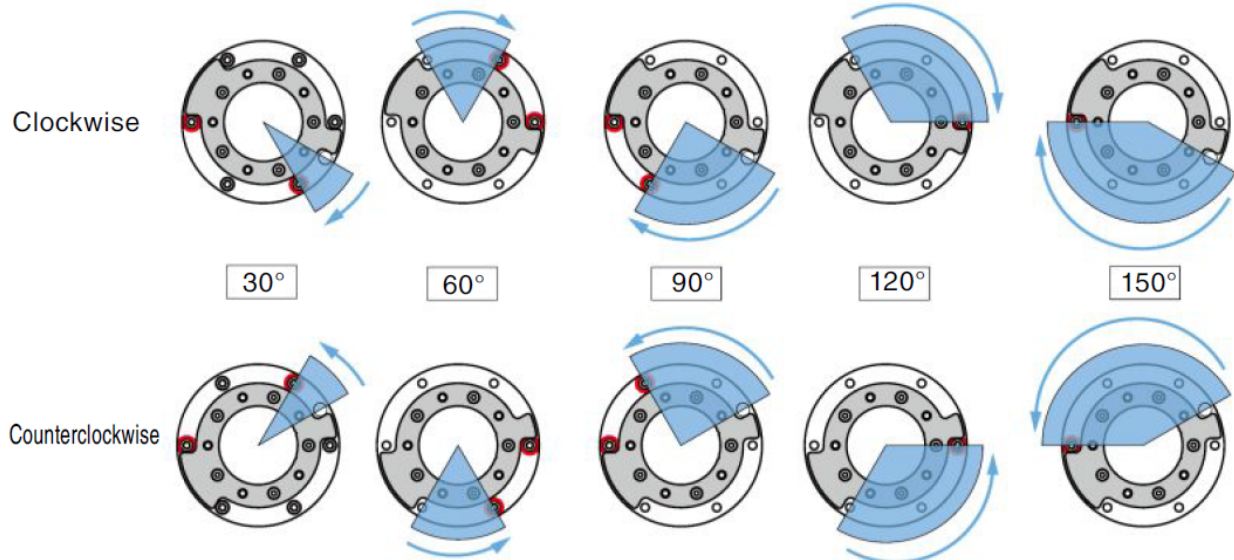
HG-S-75-ARP

[Angle limit Mechanism]



The angle is limited by contact between the stopper co-fastening bolt (to be prepared by the customer) and the plate.

[Stopper Installation Position, Swivel Direction & Control Angle]



- Plate and stopper form a set which can be installed to control the swivel angle of Swivel Torque Hinge HG-S 1.
- Two swivel directions and five angles can be selected according to the stopper installation position.

[Other]

- Contact Sugatsune for angles other than 30°, 60°, 90°, 120°, or 150°.

[Remarks]

- Use screw loosening prevention adhesive when mounting screws.
- To fix the HG-S body, use hex socket head cap bolts (JIS B 1176).

[Parts Included]

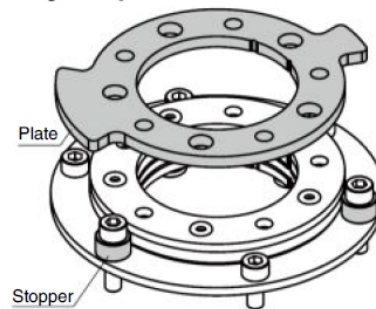
- Stopper

HG-S-34-ARP: Height 6.2 mm/2 pcs

HG-S-50-ARP: Height 6.2 mm/2 pcs

HG-S-70-ARP: Height 7.2 mm/2 pcs (height differs from other models. Cannot be used together.)

[Part Configuration]



No.	Part Name	Material	Finish
①	Angle limiter Plate	Stainless Steel (SUS430)	Barrel Polished
②	Angle limiter Stopper	Stainless Steel (SUS303)	-

RoHS	CAD	Item Code	Item Name	Corresponding Hinge	Weight (g)
RoHS	3D	170-046-597	HG-S-34ARP	HG-S-34	77.6
RoHS	3D	170-046-598	HG-S-50ARP	HG-S-50	99.7
RoHS	3D	170-046-599	HG-S-75ARP	※HG-S-75	148.5

Refer to 1 : P.58-P.62

※ Corresponding to HG-S50-75 Only (Not to HG-S75-75).

TORQUE HINGES

DAMPER HINGES

LIFT ASSIST HINGES

DETENT HINGES

CONCEALED HINGES

BUTT HINGES

PIANO HINGES

STEP HINGES

LIFT-OFF HINGES

PIVOT HINGES

SPRING HINGES

CLEAN ROOM HINGES

HINGES FOR ALUMINUM FRAME

DROP HINGES

GLASS DOOR HINGES

SPECIAL HINGES



GLOBAL DESIGN TECHNOLOGIES S.L

C/ Reyes Católicos 6 Nave10
Parque Empresarial Grupo GEO
28108 Alcobendas (Madrid) ESPAÑA



southco[®]
DISTRIBUIDOR AUTORIZADO -

SUGATSUNE

Kipp

Accuride[®]
Always Moving Forward